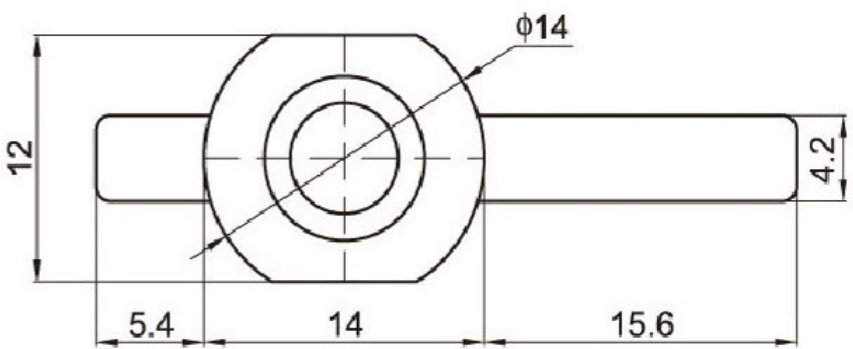
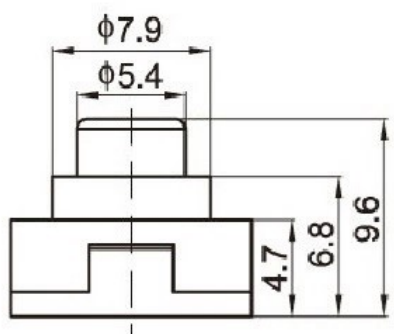
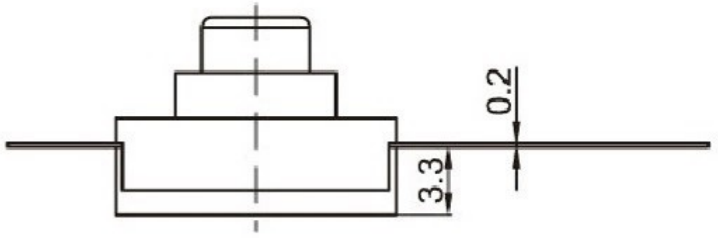


# ON-OFF



SCHEMATIC (NON-SHORTING)



注：“\*”□表示关键尺寸(3个)。

| NO. | PARTS     | MATERIALS          | Q'TY |                | TOLERANCE<br>UNLESS SPECIFIED |       |           |                          |           |           |
|-----|-----------|--------------------|------|----------------|-------------------------------|-------|-----------|--------------------------|-----------|-----------|
| 8   |           |                    |      |                |                               |       |           |                          |           |           |
| 7   |           |                    |      |                |                               |       |           |                          |           |           |
| 6   |           |                    |      |                | WITHIN 1.5mm : ±0.1mm         | A     | 2012-8-13 | 初版                       |           |           |
| 5   | SPRING    | SUS                | 1    | NATURAL        | OVER 1.5mm : ±0.2mm           | ISSUE | DATE      | DESCRIPTIONS OF REVISION | APPD.     |           |
| 4   | CAM STICK | SUS                | 1    | NATURAL        | TITLE : VERTICAL PUSH SWITCH  |       |           | UNIT : mm                | DRWG NO.: |           |
| 3   | CASE      | PA66/BRASS STRIP   | 1    | GREY/Ag PLATED | MODEL:                        |       |           | SCALE: 5:1               | DWN.      | 2012-8-13 |
| 2   | COVER     | PA66               | 1    | BLACK          | 东莞市高迪电子有限公司                   |       |           | CHK'D                    |           |           |
| 1   | KNOB      | PA66/PBS C5210R-EH | 1    | WHITE/Ag CLAD  |                               |       |           | APPD.                    |           | 2012-8-13 |